

RAYO Industries



RRCL3-S921 | Remodel



RRCL3-S921-NC | New Construction

Project	
Project Name	
Fixture Location	
Date	

DESCRIPTION

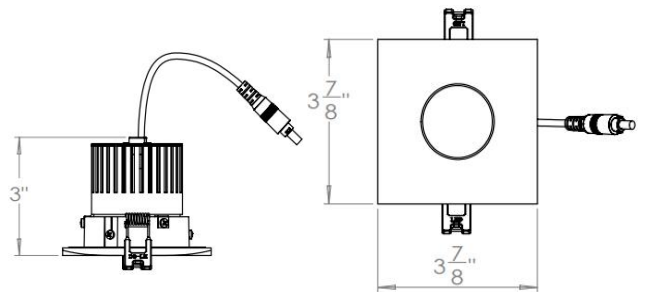
- 3" square recessed LED Retrofit trim.

FEATURES

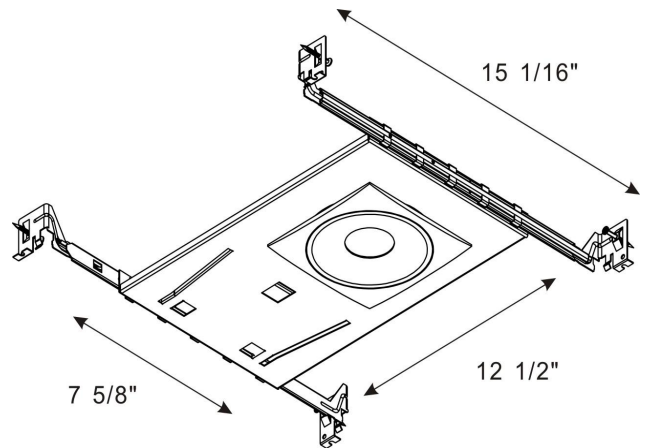
- Can be installed in 0.5" to 1.25" thickness ceilings.
- Use FT4 wire with high flame retardant grade independent drive junction box, easy to replace.

DIMENSIONS

Remodel



New Construction



SPECIFICATIONS	
FINISH	BLACK/WHITE/SATIN NICKEL
MOUNTING	RECESSED
CRI	80/90+
CCT	2700/3000/4000/5000 /6000K
BEAM ANGLE	24°/36°
SUITABLE LOCATION	DAMP
WARRANTY	3 YEARS
DIMMABLE	YES
MAXIMUM WATTAGE	10W
VOLTAGES	120V
DELIVERED LUMEN	1200lm

