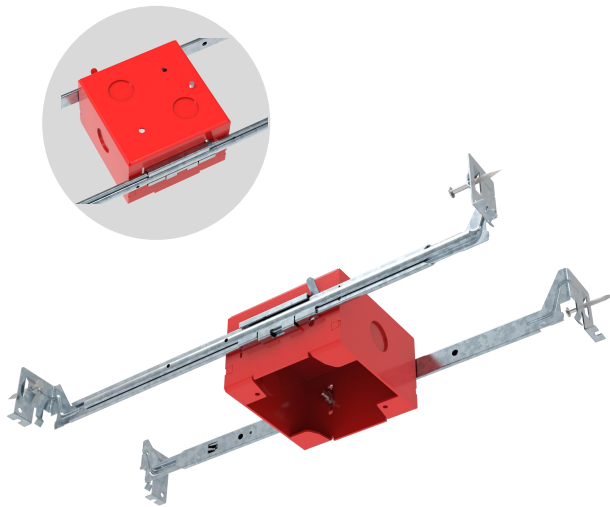
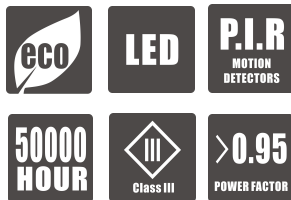




Project	
Project Name	
Fixture Location	
Date	



RFRJ-BOX-S | New Construction



SPECIFICATIONS	
MOUNTING	RECESSED
FIRE RATING	2 HOURS
CRI	80+/90+
PF	>0.95



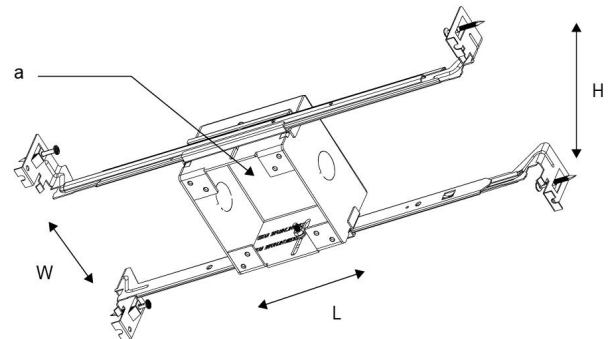
### DESCRIPTION

- 4 in 4 out ultra-thin new construction fire rated junction box, designed for surface mount ceiling fixtures.

### FEATURES

- Cold plate housing sprayed with red powder for 2 hours fire rated.
- Allow it to be adjusted from 1/2" up to 1 1/4".

### DIMENSIONS



L: 4 3/4"

W: 3 3/4"

H: 2 1/2"

a: 4 3/4" x 4 3/4"

Designed for 2" x 8" joist construction

### LISTING

UL listed to US and Canadian standards for damp location W/Feed through. IC Rated, Title 24 compliant  
 UL 263 certificated up to 2 hour fire rated.