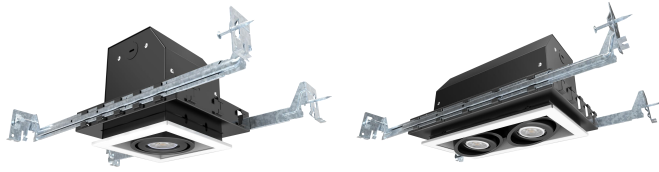


# RAYO Industries



RRC4011-E-GU10

RRC4012-E-GU10



RRC4013-E-GU10



RRC4014-E-GU10

RRC4014-E-S-GU10

## SPECIFICATIONS

FINISH	BLACK/WHITE
MOUNTING	RECESSED
CRI	80/90+
CCT	2700/3000/4000/5000 K
OPTICS	36°
SUITABLE LOCATION	DAMP
WARRANTY	5 YEARS
DIMMABLE	YES
MAXIMUM WATTAGE	8W/LAMP
VOLTAGES	120V/277V
LUMEN EFFICIENCY	100LM/W



Project	
Project Name	
Fixture Location	
Date	

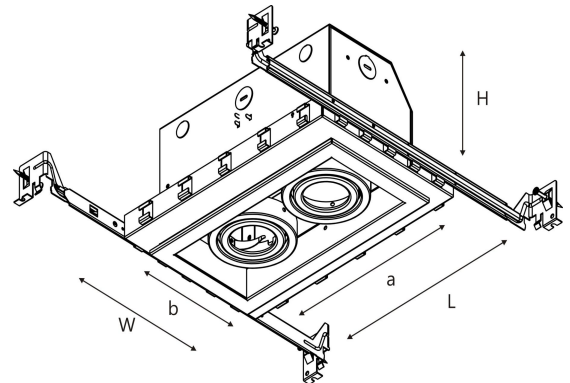
## DESCRIPTION

- New construction LED GU10 multiple downlight.

## FEATURES

- The multiple spots are marketed as complete units including the housing and trim.
- Available as 1, 2, 3 and 4-light configurations, each spot is individually adjustable and provides a 30-degree visual cutoff for glare control.
- Can be accommodate a 1/2" to 1 1/4" ceiling thickness.
- All housings can be made into NON-IC or IC Rated.
- 30° vertical tilt, 360° horizontal rotation.
- Die-casting aluminum heat sink painted black.
- Trim and housing are constructed of Gauge Steel.
- Available in trimmed or trimless, face trim or open trim.

## DIMENSIONS



### 1x1 SPOTS

L: 5 7/8"xW: 6 1/4"xH: 5 1/16"

Cut-Out(axb): 4 3/4" x 4 3/4"

### 1x2 SPOTS

L: 10 9/16"xW: 6 1/4"xH: 5 1/16"

Cut-Out(axb): 8 3/4" x 4 3/8"

### 1x3 SPOTS

L: 14 1/2"xW: 6 1/4"xH: 5 1/16"

Cut-Out(axb): 13 1/4" x 4 3/8"

### 1x4 SPOTS

L: 18 7/8"xW: 6 1/4"xH: 5 1/16"

Cut-Out(axb): 17 7/16" x 4 3/8"

### 2x2 SPOTS

L: 10 15/16"xW: 10 15/16"xH: 5 1/16"

Cut-Out(axb): 8 3/4" x 8 3/4"