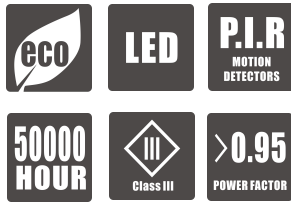


RFRJ4-F-OL | New Construction



SPECIFICATIONS	
MOUNTING	RECESSED
FIRE RATING	2 HOURS
CRI	80+/90+
PF	>0.95

LISTING

UL listed to US and Canadian standards for damp location W/Feed through. IC Rated, Title 24 compliant UL 263 certificated up to 2 hour fire rated.



Project	
Project Name	
Fixture Location	
Date	

DESCRIPTION

- 4" octagonal lamp with fire protection for a variety of light sources such as 4" retrofit stands.

FEATURES

- Specification grade fire-rated new construction housing
- Mountable ceiling thickness: 1/2" up to 1 1/4".
- The ETL Listed housing is rated for a minimum of 2h protection.
- Can install the 4" retrofit and ceiling light.

HOUSING

- Using galvanized steel junction box.

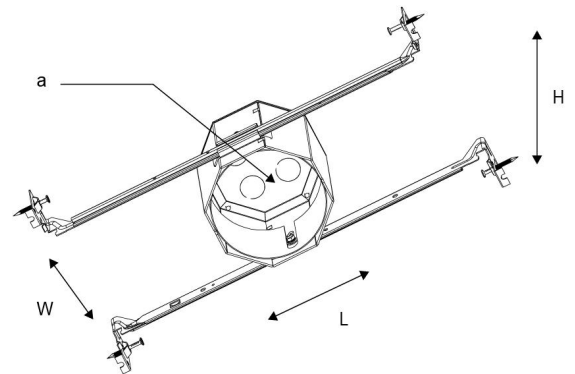
JUNCTION BOX

- 4 in 4 out galvanized steel junction box.

HANGER BAR

- Pre-installed adjustable bar hangers engineered to accommodate lumber, laminated beams and T-bar.

DIMENSIONS



L: 4 7/32"

W: 4 7/32"

H: 3 13/16"

a: 4 17/32"

Designed for 2" x 8" joist construction