



Project	
Project Name	
Fixture Location	
Date	



RRCL4-001-E

DESCRIPTION

- 4" LED downlight module retrofit.

FEATURES

- LED retrofit designed for recessed downlight.
- Concealed light source.
- Using imported high transmittance diffusion plate.

MOUNTING CLIPS OPTION



Option 1

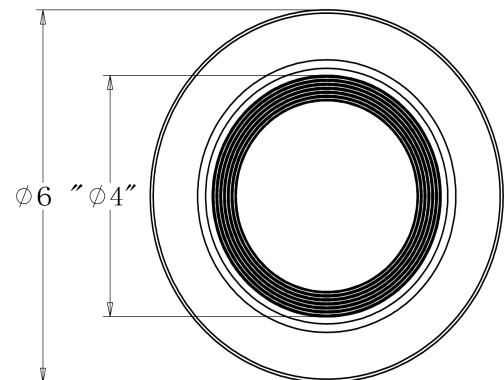
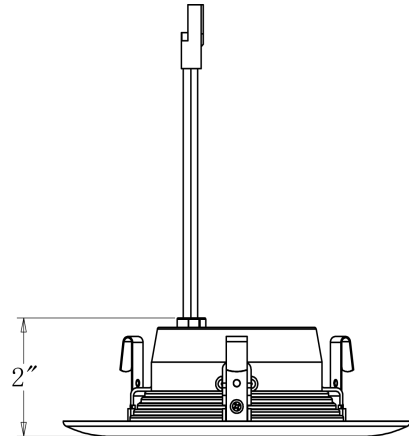


Option 2



Option 3

DIMENSIONS



SPECIFICATIONS	
MOUNTING	RECESSED
FINISH	WHITE/BLACK/SATIN NICKEL
CRI	80+
CCT	2700-4100K
POWER FACTOR	>0.9
SUITABLE LOCATION	DAMP
WARRANTY	3 YEARS
DIMMABLE	YES
VOLTAGES	120V/277V

