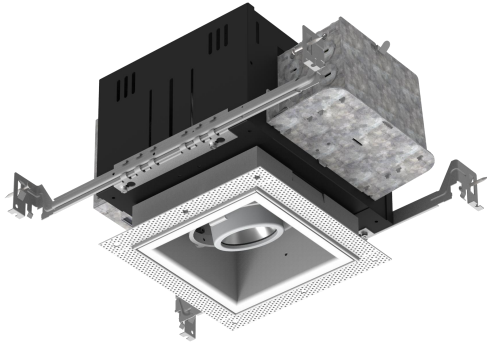


RAYO Industries



RRC4011-C



TRIMMED



TRIMLESS

SPECIFICATIONS

FINISH	BLACK/WHITE
MOUNTING	RECESSED
CRI	80/90+
CCT	2700/3000/4000/5000 K
OPTICS	12/24/36/54°
SUITABLE LOCATION	DAMP
WARRANTY	5 YEARS
DIMMABLE	YES
MAXIMUM WATTAGE	40W/LAMP
VOLTAGES	120V/277V
LUMEN EFFICIENCY	100LM/W



Project

Project Name	
Fixture Location	
Date	

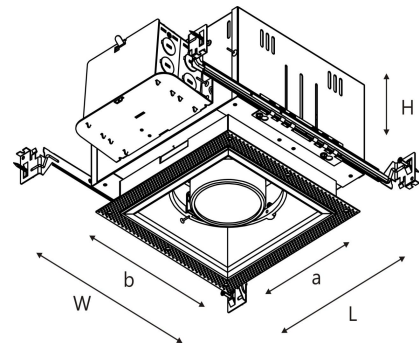
DESCRIPTION

- Commercial RGBW LED COB multiple downlight.

FEATURES

- RGBW state of the art down light.
- Compatible with 512 universal controllers in the market.
- Imagine creating ANY COLOR your mood desires just by press of a button.
- Regular lighting/Reading mode/Color changing/Party Mode.
- DMX 512 controller needed. Sold separately.

DIMENSIONS



1x1 SPOTS

L: 9"xW: 12 3/16"xH: 7 9/16"
Cut-Out(axb): 7 9/16" x 7 9/16"

1x2 SPOTS

L: 15 7/16"xW: 12 3/16"xH: 7 9/16"
Cut-Out(axb): 13 9/16" x 7 9/16"

1x3 SPOTS

L: 21 7/8"xW: 12 3/16"xH: 5 1/16"
Cut-Out(axb): 20 1/2" x 7 9/16"

1x4 SPOTS

L: 28 5/16" xW: 12 3/16"xH: 7 9/16"
Cut-Out(axb): 26 13/16" x 7 9/16"

2x2 SPOTS

L: 15 7/16"xW: 12 3/16"xH: 7 9/16"
Cut-Out(axb): 13 9/16" x 13 9/16"